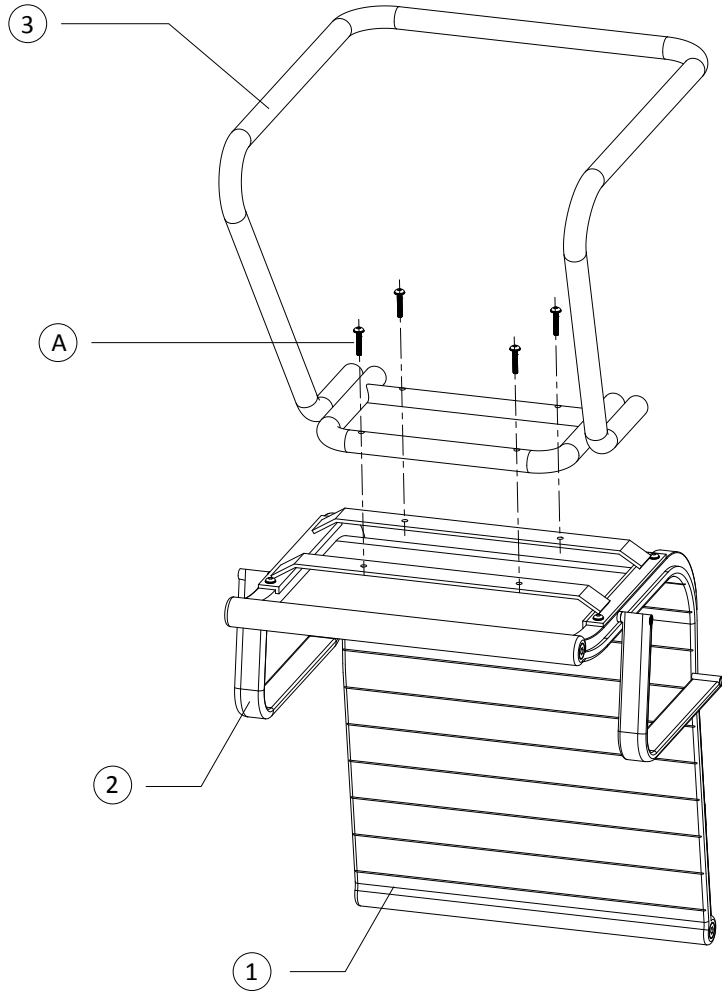


ASSEMBLY INSTRUCTION

Remove all items from the carton. Verify all pieces before assembly.

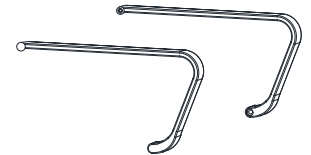


FINISH

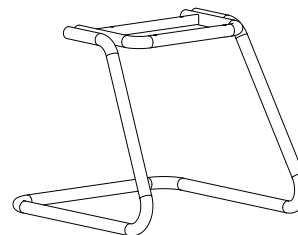
① Seat & Back



② Arm Rest

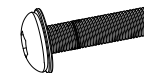


③ Base



Accessories & Tools

Ⓐ M8*16MM - x4



Ⓑ M8 - x1

