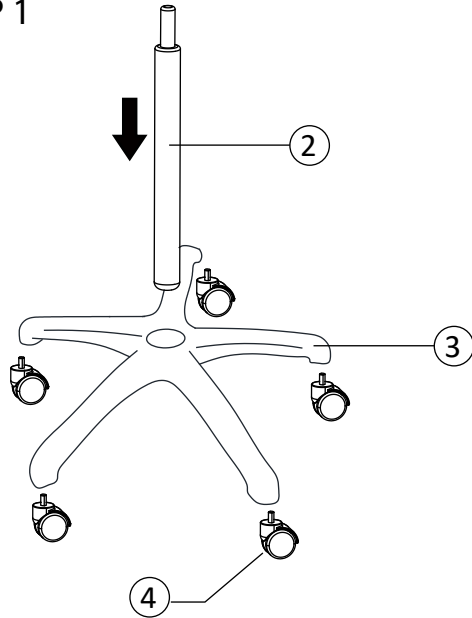


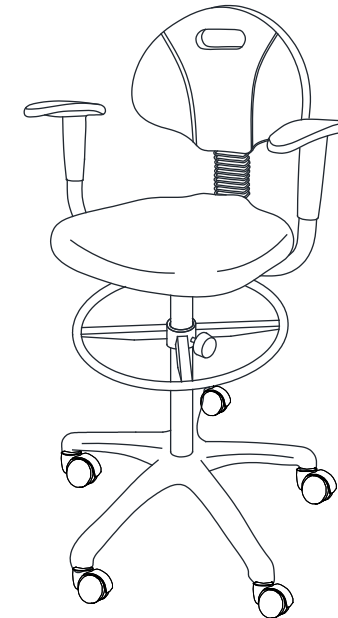
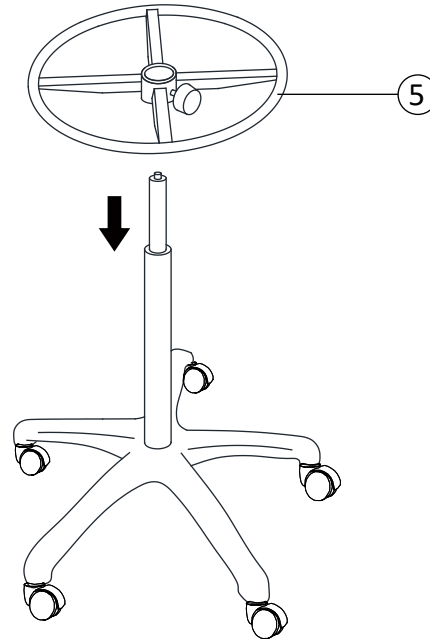
ASSEMBLY INSTRUCTION

Remove all items from the carton. Verify all pieces before assembly.

STEP 1

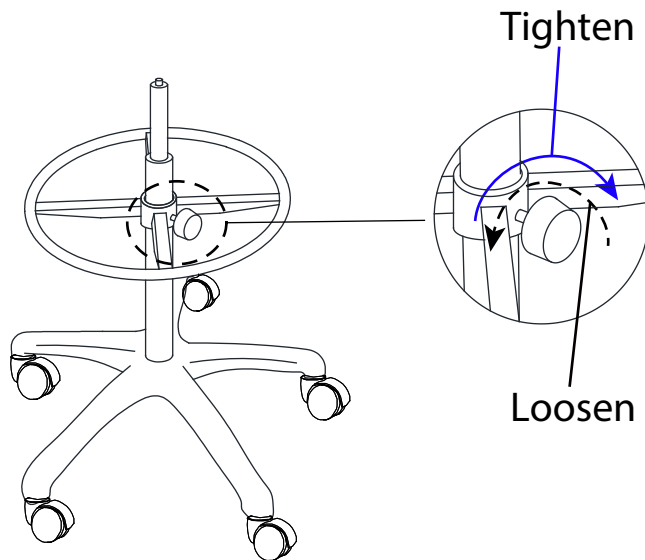


STEP 2

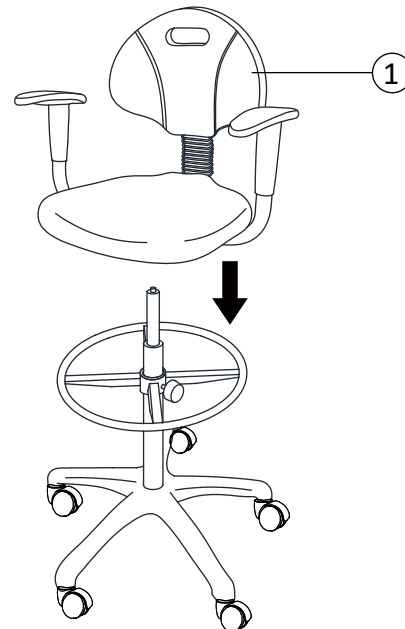


FINISH

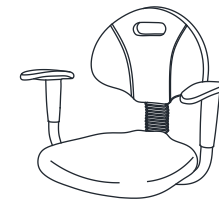
STEP 3



STEP 4



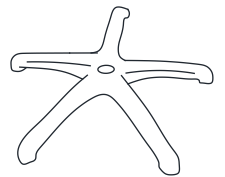
① Seat & Back



② Gas Lift



③ Armrest



④ Casters - x5



⑤ Footrest

