
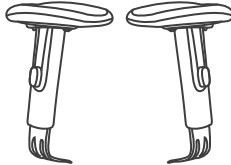

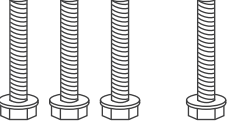
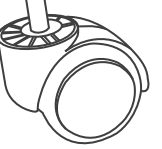


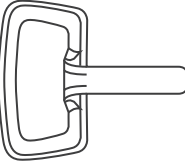
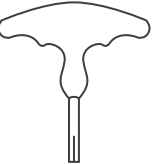
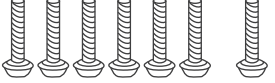
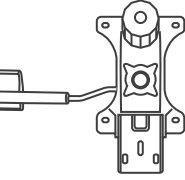
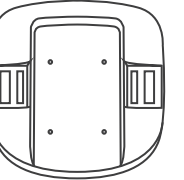
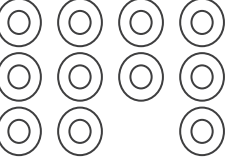
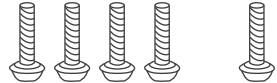


PRODUCT INSTALLATION GUIDE

M18

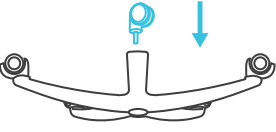
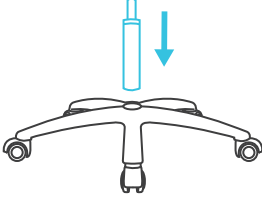
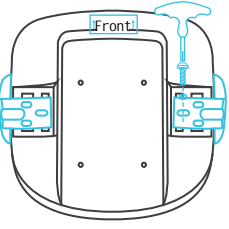
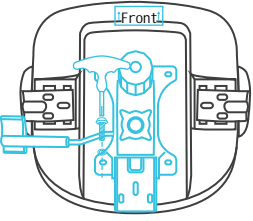
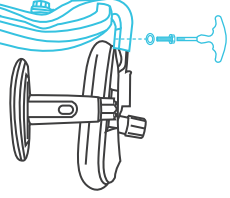
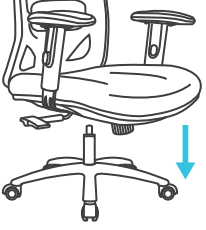
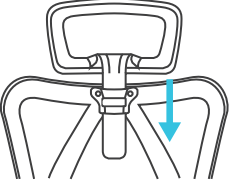


Parts list (According to the actual size; each type of screw and gasket have a spare)

| | | |
|---|---|--|
|  |  |  |
| Backrest*1 pc | Armrest*1 pair | Big shim 3+1 pcs |
|  |  |  |
| Back plate screw(M8*45)3+1pcs | Castores*5 pcs | Base*1 pc |
|  |  |  |
| Gas lift*1 pcs | Headrest*1 pc | Hex wrench*1 pc |
|  |  |  |
| Armrest screw(M6*25)6+1pcs | Mechanism*1 pc | Seat cushion*1 pc |
|  |  | |
| Small shim 10+1 pcs | mechanism screw(M6*20)4+1pcs | |



Installation diagram (subject to actual size)

| | | |
|---|--|---|
|  |  |  |
| <p>1 Put the castor into the base by pressing.</p> | <p>2 Insert the gaslift to the base.</p> | <p>3 Fix the armrest to the seat cushion with 6pcs small shim and 6pcs(M6*25)screws, Armrest face arrow forward.</p> |
|  |  |  |
| <p>4 Fix the mechanism to the seat cushion with 4pcs small shim and 4pcs(M6*20)screws.</p> | <p>5 Fix the back plate to the seat cushion with 3pcs big shim and 3pcs (M8*45)screws .</p> | <p>6 Put the upper part of chair to the gas lift.</p> |
|  | | |
| <p>7 Fix the headrest to the backrest .</p> | | |